



NOVA SWISS



WORLD INNOVATION **SOLENOID VALVE NC**

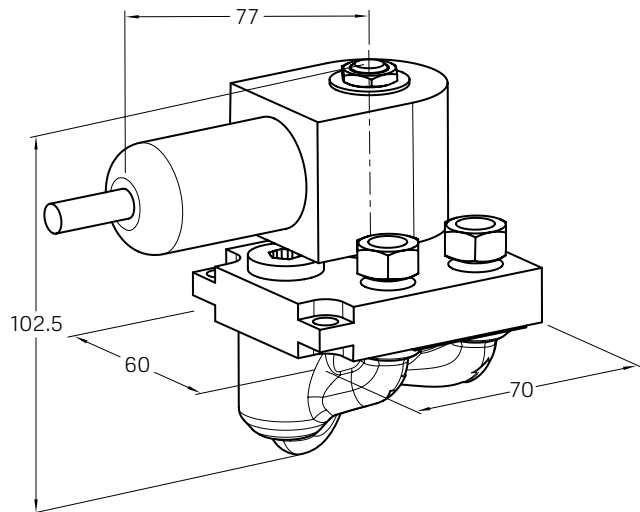
- Ultra-compact design
- More cost-efficient application
- Low weight
- Valve with safety function
- Low electrical power consumption



Solenoid Valve NC

THE WORLD'S SMALLEST 1'000 BAR HIGH-PRESSURE GAS VALVE

With the ultra-compact and extremely light Nova Swiss solenoid valve NC for H₂ high-pressure applications and inert gases for an operating pressure of up to 1'000 bar, your applications can now be realised even more cost-efficiently thanks to its minimal dimensions. The servo-controlled 2-way on/off valve, manufactured from stainless steel using additive manufacturing, is monostable (normally closed). If the current drops at the solenoid coil, the valve closes reliably and tightly (safety function).



SOLENOID VALVE		
Type	Solenoid coil	Valve certification
NCA	ATEX	ATEX: Ex II 2G Ex mb IIC T3
NCU	UL	UL
NCS	Standard	none
Valve data		
NC (Normally Closed)	Valve currentless closed (safety function)	
Operating pressure	10 - 1'000 bar	
Test pressure	> 1'500 bar	
Burst pressure	> 2'400 bar	
Differential pressure	min. 10 bar	
Gaseous medium	H ₂ , CO ₂ , N ₂ , He, Ne, Ar, Kr, Xe	
Medium temperature	-20 °C ... +60 °C (upon request -40 °C ... +80 °C)	
Ambient temperature	-20 °C ... +60 °C (upon request -40 °C ... +80 °C)	
Flow coefficient (KV)	0.6 (m ³ /h)	
Nominal width	5.3 mm	
Switching time	< 0.5 sec	
Flow direction	uni-directional	
HP connection	NOVA 6M (Tube 3/8", 9/16-18UNF)	
Weight	< 2.3 kg	
Electrical data		
Power supply	24 VDC (or PWM, other options upon request)	
Power consumption	14 W	
IP code	IP 67	
Life span	10 years or 100'000 cycles	