



NOVA SWISS

NOVA SWISS is a proud member of



UP TO 875 BAR

TPED NEEDLE VALVES



TPED Needle Valves

The Evolution of Technology, enter the post-carbon era

Like evolution, research and development is a continuous process of change, adaptation and pursue for new approaches. Nova Swiss has developed high expertise and performed intensive in-house research in material research to mitigate and minimise embrittlement of high-pressure components in contact with hydrogen, being the market leader in this segment.

Thanks to Nova Swiss' ongoing journey, new valves in accordance with TPED Directive 2010/35/EU are available.



Needle Valve Features:

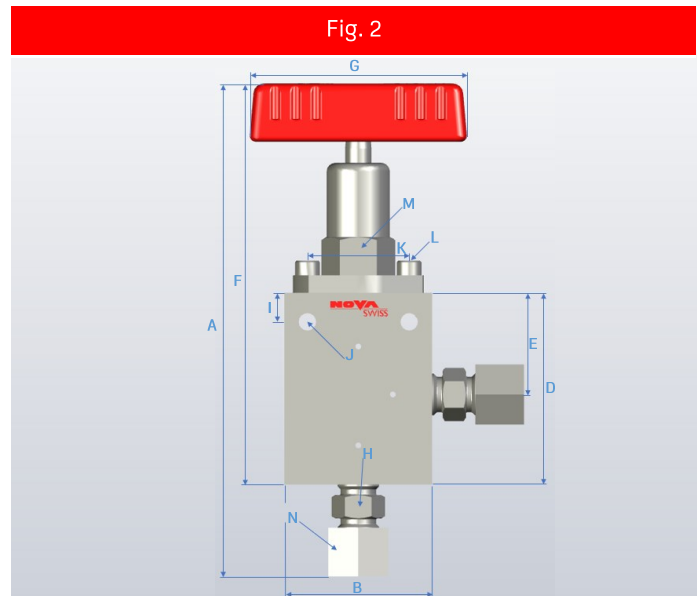
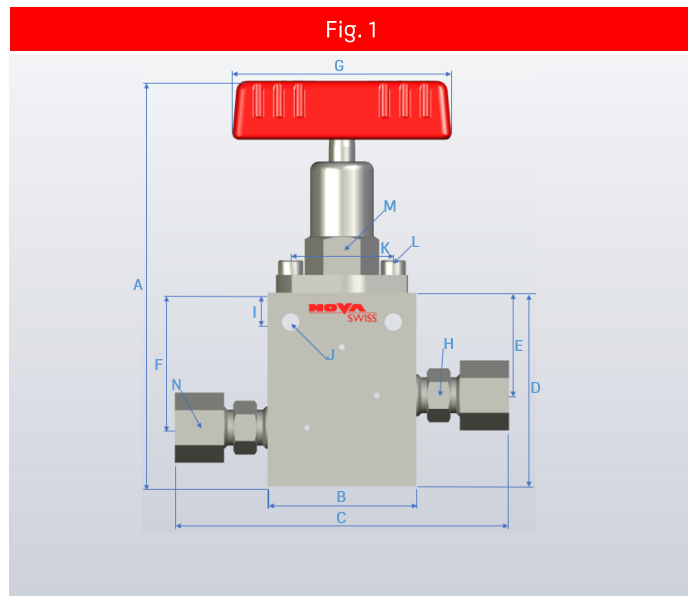
- MAWP 875 bar (12'650 psi)
- TPED 2010/35/EU approval
- Bi-directional flow
- 2-way straight & -angle
- Connections for tubing \varnothing 3/8"
- Non rotating two-piece stem
- Complete of weep holes
- Temperature range $-40^{\circ}\text{C} \dots +65^{\circ}\text{C}$
- Compliant with PED 2014/68/EU
- Atex compliant
- Full traceability of manufactured parts
- Unique serial number

2-Way Straight – MPCT – MAWP 875 bar, fig. 1 (dimensions)

Nova Ref.	Conn.	A	B	C	D	E	F	G	H	I	J	K	L	M	N	Th.
NV1086M-104	3/8	138	51	114	66	35	46	75	5/8	10	\varnothing 6	35	M5	22	13/16	29

2-Way Angle – MPCT – MAWP 875 bar, fig. 2 (dimensions)

Nova Ref.	Conn.	A	B	C	D	E	F	G	H	I	J	K	L	M	N	Th.
NV2086M-104	3/8	170	51	-	66	35	138	75	5/8	10	\varnothing 6	35	M5	22	13/16	29



For customized solutions & modules, contact Nova Swiss.

NEW ! Hydrogen Pipes
 EC 79 compliant
 H₂ Service Levels HLS 35 & HLS 70

novaswiss.com